
2020/2025G-C

3-SERIES FORKLIFTS

Engine

PSI 4G64 2.4L LPG

Capacities

4,000-5,000 lb (2,000-2,500 kg)



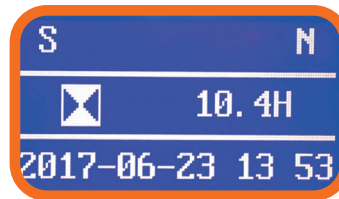
MODERN.ERGONOMIC.DURABLE.WELL SUPPORTED.

3-SERIES FORKLIFTS

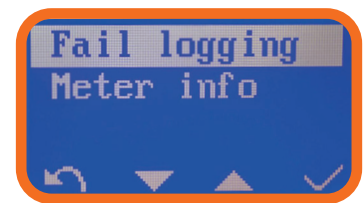
MODERN

The LiuGong 3-Series has the features and high performance that you've come to expect in a modern forklift. Our new aggressive styling reflects LiuGong's "DNA" going forward. These full featured machines will exceed your productivity expectations!

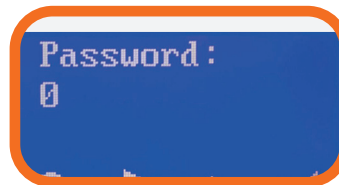
- HIGH PRODUCTIVITY
- INCREASED LIFT SPEEDS
- CANBus ELECTRICAL SYSTEM
- ONBOARD DIAGNOSTICS
- MAINTENANCE REMINDERS
- LCD INSTRUMENT PANEL
- OPERATOR PASSCODE FEATURE
- TRAVELING SPEED LIMIT



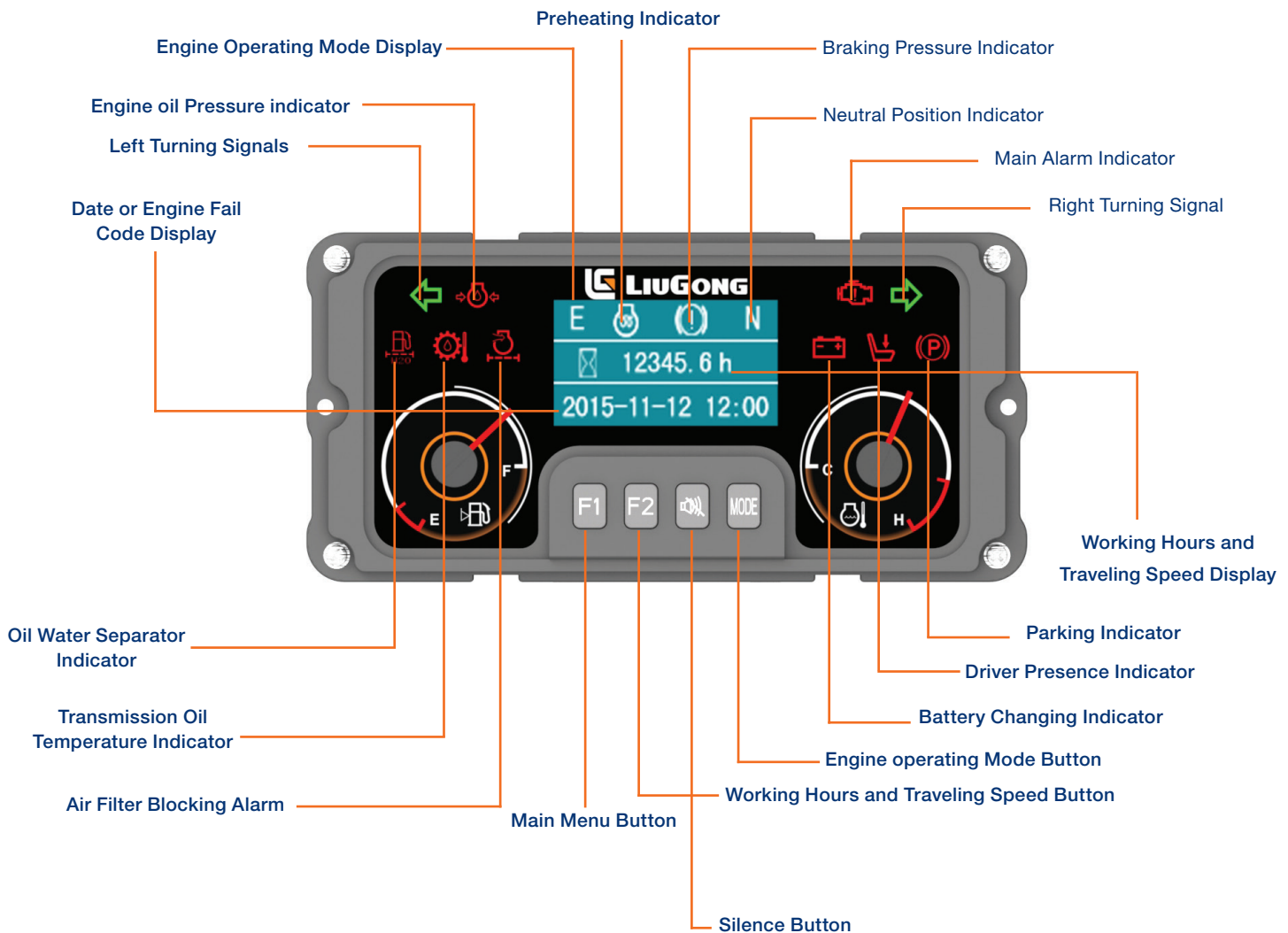
Normal Display



Fault Code



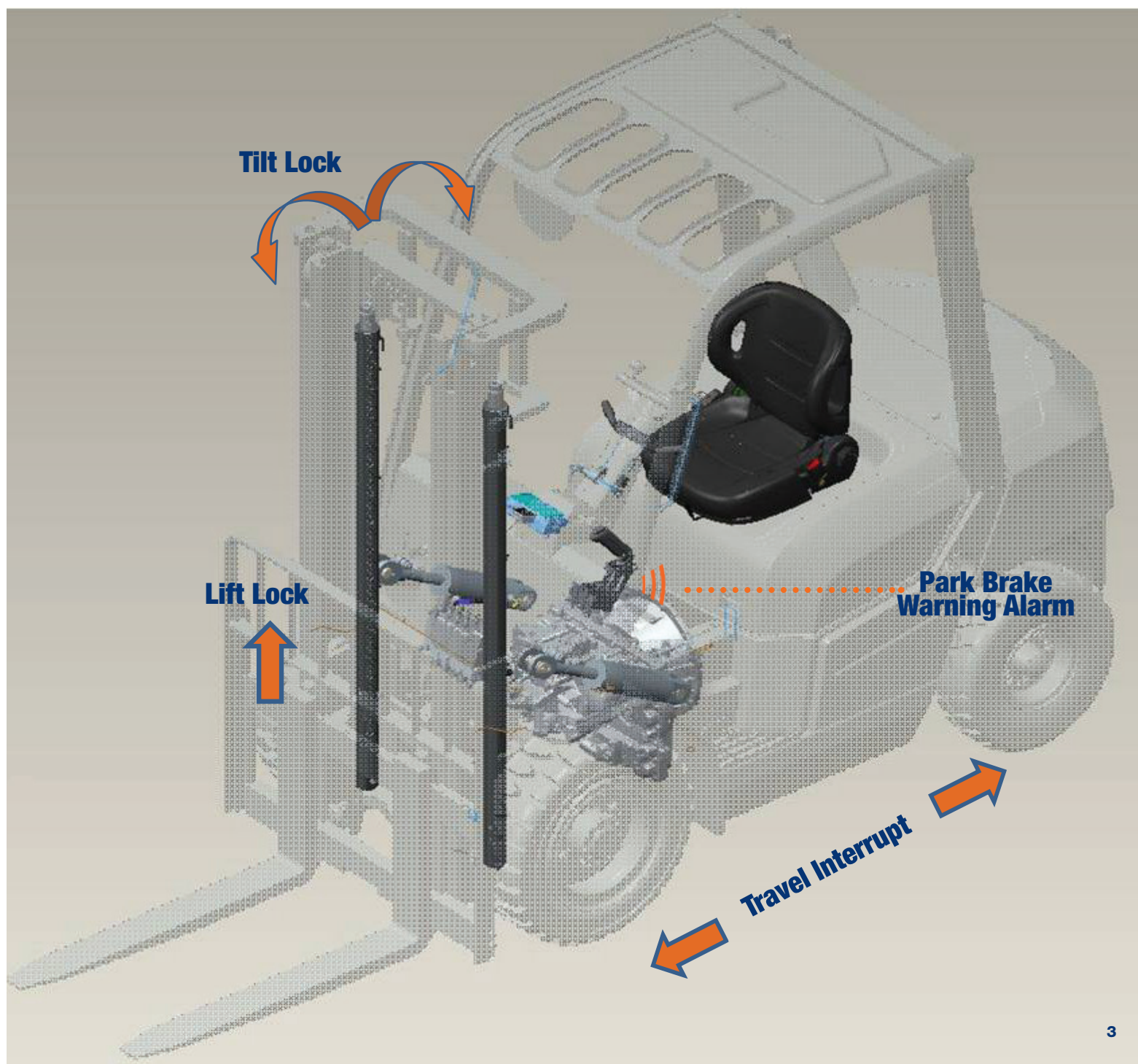
Password Login





OPERATORS PRESENCE SENSING SYSTEM (OPS)

This system uses a switch sensor built into the operator's seat to detect the presence of the operator. In case the operator is not in the normal operating position, travel power is interrupted, and load handling operations are stopped to prevent unintentional movements. A warning alarm will sound if the operator leaves the machine without engaging the park brake.



3-SERIES FORKLIFTS

ERGONOMIC

LiuGong's customer driven design maximizes operator **comfort** and **productivity**.

Our goal is to have the most comfortable operator work space in the industry.



TILT STEERING COLUMN

Our adjustable tilt steering column features an auto-return to the pre-set position. The small diameter steering wheel features a spinner knob for low effort, easy steering.



PARKING

Parking brake is easy to reach, easy to apply and release.



HANDLE

Easy to reach large front grab handles



STEPS

Wide grated steps on both sides allow for secure footing during entry/egress.





PREMIUM FULL SUSPENSION SEAT

Our premium seat provides maximum operator comfort with six different seat adjustments to suit most operator's preferences.



REAR HANDLE

Rear handle with horn button

VISIBILITY

Excellent rear visibility thanks to our new low profile swing down LP tank bracket



PEDALS

Low effort service brake pedals

3-SERIES FORKLIFTS

DURABLE

The 3-Series is **tough and durable**, using quality components and **innovative design**. The PSI 2.4L LPG engine is highly efficient and easy to maintain. Also have a proven track record for solid dependability.

POWERFUL PERFORMANCE

- PSI 4G64 LPG EPA certified engine 2.4L (62hp).



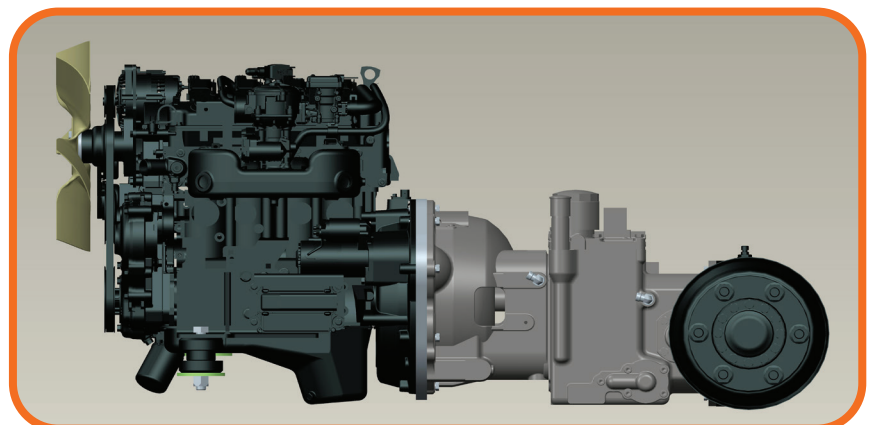
2-FLUID COOLING SYSTEM

Designed for ambient temperatures up to 113°F to keep running when the going gets hot. Highly efficient and clog resistant keeps the key systems running cool. Electronic over temperature sensors protect your investment by reducing performance in the off chance of overheating.



TRANSMISSION

These engines are coupled to our proven transmission which features strong durability and active cooling system.





HYDRAULIC SYSTEM

The new hydraulic system revolves around our new hydraulic control valve, which is designed to optimize the hydraulic performance.



IMPROVED BRAKE SYSTEM

Our low effort brake system design minimizes exposure to contamination resulting in improved reliability. Larger surface brake pads provide enhanced performance.



LED LIGHTS

LED flood lights and LED rear combination lights provide long life and improved lighting.



TAPERED ROLLER BEARINGS

Tough and durable, able to withstand multi-axial loads applied to steer axle.



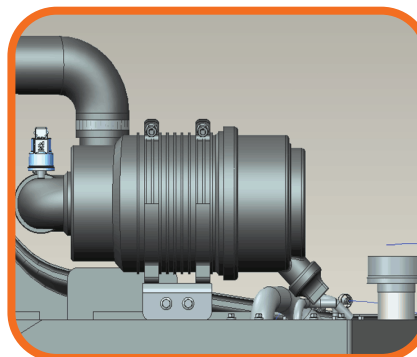
PARK BRAKE DRIVE THROUGH PROTECTION

Electronic lock out of the transmission when the park brake is set to protect the transmission.



AIR FILTER BLOCKING

Protects the engine by alerting the operator that the engine air filter requires service.



3-SERIES FORKLIFTS

WELL SUPPORTED

LiuGong knows that **easy serviceability** and **aftersales** support is critical to maintain machine uptime. The new 3-Series is designed for easy service access and quick diagnostics to ease maintenance and repair. Our factory trained dealer network, supported by LiuGong Regional Product Support Representatives, have the technical knowledge to keep your equipment operating at peak efficiency. These professionals are, in turn, supported by Technical Product Specialists at LiuGong North America HQ to support any issues which need additional attention. LiuGong North America also maintains a very **significant parts stock** near Houston, Texas to quickly deliver the parts needed to support your operation.



SERVICEABILITY

- No-tools air filter maintenance
- Complete access to cooling system
- Fuse box inspection at a glance
- Serviceability and daily checks are easy with the one step column fold up and engine cover which opens 85 degrees.all daily checks are within easy reach of the operator and the floor plate can be easily removed if necessary.
- 80% commonality of parts

EASY TANK EXCHANGE

There is a great serviceability all around the 3-Series machines. LPG models come standard with low profile swing-out, fold down tank brackets making LP tank replacement simple and easy. The tank bracket locks in open and closed positions for safety.



STANDARD CONFIGURATION

POWER SYSTEM

- PSI 4G64 LPG engine
- High strength drive axle
- Heavy duty steering axle
- Air filter with dual-elements
- Radiator
- Low exhaust

HYDRAULIC SYSTEM

- 2-funtion hydraulic valve
- Hydrostatic steering
- Oil filter for intake and return

ELECTRIC SYSTEM

- 1 battery
- LED front combination lights
- LED rear combination lights
- Buzzer back-up

UNDERCARRIAGE

- High strength frame
- 1-piece counterweight
- Tow pin
- Cushion drive tires
- Cushion steer tires

MAST

- 3.0M Standard 2-stage mast
- 36.2 in(920mm) Wide Class II carriage
- Load backrest
- 42 in (1,070mm) long Class II pallet forks

OPERATOR STATION

- Overhead guard
- Full-suspension seat
- Ignition lock
- LCD display with OPS, air filter restriction alarms, fuel rate, water temperature, working hour, date or error code etc.
- Tilt steering column
- Inching, brake and accelerator pedals
- Hand brake parking
- Floor mat
- Rear handle with horn button.

OPTIONAL CONFIGURATION

POWER SYSTEM

- Elevated air pre-cleaner

HYDRAULIC SYSTEM

- 3-funtion hydraulic valve
- 4-funtion hydraulic valve

ELECTRIC SYSTEM

- Rear working light
- Amber warning light
- Rear warning blue light

MAST

- Full free 3-stage mast
- Longer Class II pallet forks

OPERATION STATION

- Operator fan
- Fire extinguisher
- Protective cover for tilt cylinder

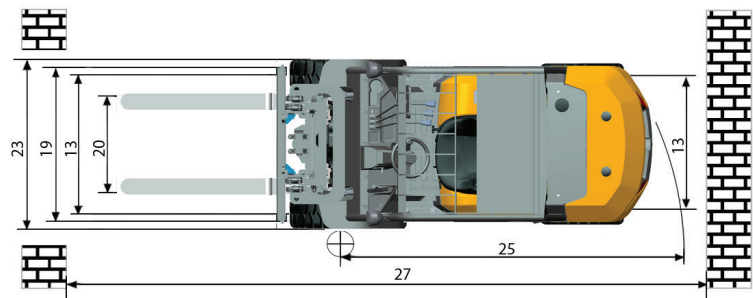
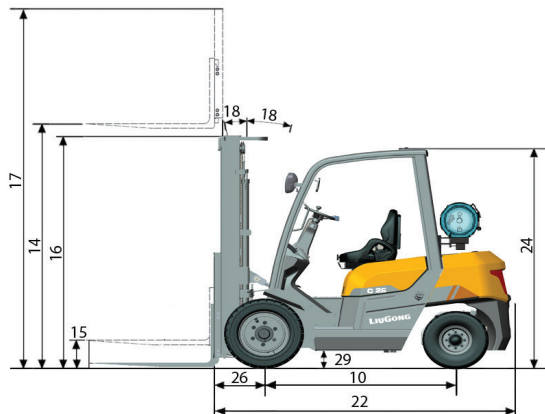
ATTACHMENTS

- Side shifter
- Fork positioner
- Carton clamps

3-SERIES FORKLIFTS

SPECIFICATIONS

General	Model	1			CLG2020G-C	CLG2025G-C
	Power Type	2			LPG	LPG
	Base Capacity	3	@rated load center	lb	4,000	5,000
	Load Center	4		in	24	24
Weights	Service Weight	5	unloaded	lb	7,370	8,140
	Axle Load	6	loaded / unloaded, front	lb	10,261 / 3,117	11,867 / 2,849
		7	loaded / unloaded, rear	lb	1,399 / 4,253	1,773 / 5,291
Tires	Tire Type	8			Cushion	Cushion
	Wheels	9	front / rear		2 / 2	2 / 2
	Wheelbase	10		in	58.5	58.5
	Tire Size	11	front		21x7-15	21x7-15
		12	rear		16x5x10-1/2	16x5x10-1/2
	13	front / rear	in	35.0 / 36.2	35.0 / 36.2	
Mast	Max. Fork Height	14	with std 2-stage mast	in	118.1	118.1
	Free lift	15	with std 2-stage mast	in	5.5	5.5
	Height, Upright Lowered	16	with std 2-stage mast	in	83.9	83.9
	Height, Upright Extended	17	with std 2-stage mast	in	161.3	161.3
	Mast Tilt, Fwd, Back	18	with std 2-stage mast	deg	6° / 12°	6° / 12°
	Carriage	19	width	in	36.2	36.2
	Fork Spread	20	minimum / maximum	in	8.7 / 34.7	8.7 / 34.7
	Fork Dimensions	21	T x W x L	in	1.6x 3.9 x 42.1	1.6x 4.8 x 42.1
Chassis	Length to Fork Face	22	with std 2-stage mast	in	90.2	94.1
	Overall Width	23		in	43.3	43.3
	Overhead Guard Height	24		in	83.5	83.5
	Turning Radius	25	minimum outside	in	76.8	76.8
	Fork Overhang	26	with std 2-stage mast	in	16.7	16.7
	Right Angle Stack	27	add load length and clearance	in	141.5	143.7
	Ground Clearance	28	minimum loaded	in	3.5	3.5
		29	center of wheelbase	in	5.5	5.5
	Performance	Travel Speed	30	loaded / unloaded	km/h	17 / 17.5
Lift Speed		31	loaded / unloaded	m/s	0.60 / 0.65	0.60 / 0.65
Lower Speed		32	loaded / unloaded	m/s	0.50 / 0.50	0.50 / 0.50
Max. Drawbar Pull		33	loaded	lb	4,400	4,400
Max. Gradeability		34	loaded / unloaded	%	35 / 25	35 / 22
Systems	Brakes	35	service		Foot / Hyd	Foot / Hyd
		36	parking		Hand / Mech	Hand / Mech
	Engine	37	manufacturer		PSI	PSI
		38	model		4G64	4G64
		39	emission compliance		EPA 4F	EPA 4F
		40	cylinders		4	4
		41	displacement	liter	2.40	2.40
		42	rated power	kw/rpm	46 / 2,700	46 / 2,700
		43	Max. torque	N.m/rpm	168 / 1,600	168 / 1,600

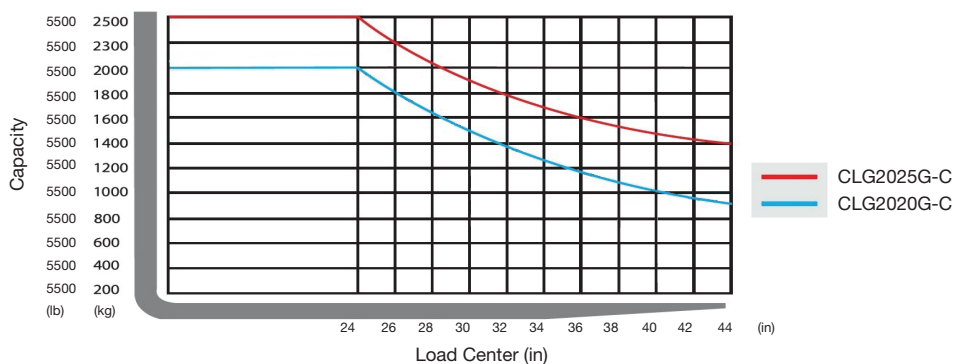




CAPACITY

Mast Type	Maximum Fork Height (MFH)	Mast Overall Lowered Height (OAL)	Free Lift with Load Backrest	Mast Tilt Angle (F/B)	Rated Load Capacity				Total Weight with Standard Forks	
					With Standard Forks		With Side Shifter			
					2020G-C	2025G-C	2020G-C	2025G-C	2020G-C	2025G-C
	in (mm)	in (mm)	in (mm)	degree	lb (kg) @ (24in \500mm LC)		lb (kg) @ (24in \500mm LC)		lb (Kg)	
Standard 2-Stage	118.1 (3000)	83.9 (2130)	5.5 (140)	6 / 12	4000 (2000)	5000 (2500)	4000 (2000)	5000 (2500)	7370 (3350)	8140 (3700)

Mast Type	Maximum Fork Height (MFH)	Mast Overall Lowered Height (OAL)	Free Lift with Load Backrest*	Mast Tilt Angle (F/B)	Rated Load Capacity				Total Weight with Standard Forks	
					With Standard Forks		With Side Shifter			
					2020G-C	2025G-C	2020G-C	2025G-C	2020G-C	2025G-C
	in (mm)	in (mm)	in (mm)	degree	lb (kg) @ (24in \500mm LC)		lb (kg) @ (24in \500mm LC)		lb (Kg)	
Full Free 3-Stage	177.2 (4500)	84.4 (2145)	42.8 (1087)	6 / 5	3946 (1790)	4905 (2225)	3726 (1690)	4519 (2050)	7826 (3550)	8444 (3830)
	185.0 (4700)	87.0 (2210)	44.7 (1135)	6 / 5	3946 (1790)	4850 (2200)	3682 (1670)	4464 (2050)	7915 (3590)	8532 (3870)
	196.9 (5000)	90.9 (2310)	49.5 (1257)	6 / 5	3417 (1550)	4740 (2150)	3186 (1445)	3913 (1775)	8036 (3645)	8653 (3925)
	216.5 (5500)	104.3 (2650)	58.1 (1477)	6 / 5	-	-	-	-	8223 (3730)	8840 (4010)
	236.2 (6000)	112.2 (2850)	71.1 (1807)	6 / 5	-	-	-	-	8366 (3795)	8984 (4075)



Note:
 Vertical axle stands for load capacity while horizontal axle stands for load center, Load center is the distance counted from the front of the fork. The base point of the standard load is the center point of the cubic with the same 1000mm(39.4in) dimension in length, width and height. The load capacity should be down if mast tilt forward or using non-standard forks of loading goods with extra width. Please realize the different load capacity between different load centers according to load chart.



TOUGH WORLD. TOUGH EQUIPMENT.

LiuGong Construction Machinery N.A, LLC.

22220 Merchants Way - Suite 100

Katy, TX 77449

USA

T: 281-579-8882

F: 281-579-8388

www.liugongna.com

Like and follow us:



LG-PB-C-SERIES FL-012020-ENG-US

The LiuGong series of logos herein, including but not limited to word marks, device marks, letter of alphabet marks and combination marks, as the registered trademarks of Guangxi LiuGong Group Co., Ltd. are used by Guangxi LiuGong Machinery Co., Ltd. with legal permission, and shall not be used without permission. Specifications and designs are subject to change without notice. Illustrations and pictures may include optional equipment and may not include all standard equipment. Equipment and options vary by regional availability.